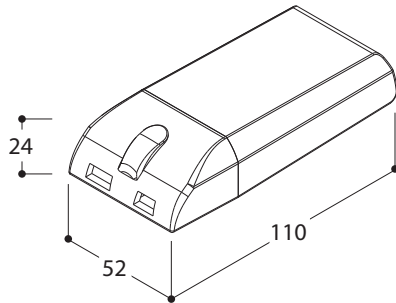


ref 930558
name POWERLED CONVERTOR 1-20W 500mA



ALWAYS DISCONNECT MAINS POWER SUPPLY FROM CONVERTER BEFORE SWITCHING "ON" LED LUMINAIRES TO PREVENT HOT PLUGGING ISSUES



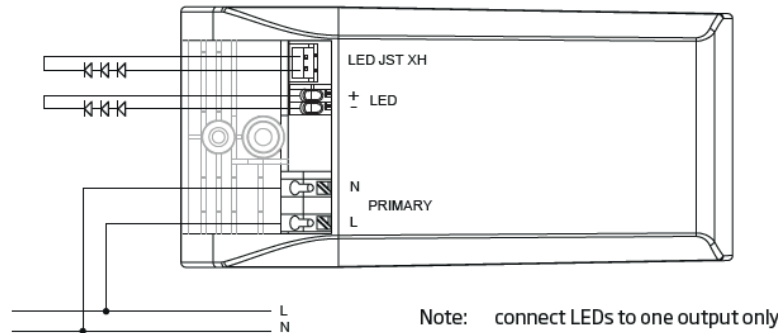
Specific technical data

Type	Efficiency at full load	Output current	Output voltage range	Open circuit output voltage	Max. output power	Dimming
	87 %	500 mA	3 - 40 Vdc	43 Vdc	20 W	No

Maximum number of drivers on automatic circuit breakers

Automatic circuit breaker type	C10	C13	C16	C20	B10	B13	B16	B20
	53	68	84	105	40	49	60	75

Wiring diagram



Technical data

Rated supply voltage	115-240 Vac
Input voltage	115-240 Vac
Mains frequency	50/60 Hz
Output current tolerance	5 %
100 Hz ripple current at full load	<1 %
Power factor at full load	0,9
Nominal line current at 240 Vac	110 mA
Output voltage setting time	1 second
Output isolation	SELV
Surge protection (diff. / comm.)	2 kV / 6 kV
IP classification	IP 20
Circuit lifetime	50,000 hrs at Tc max.
Case dimensions	110 x 52 x 23,5 mm

Thermal specifications

Ambient temperature range (Ta)	-20 to 45°C
Maximum case temperature (Tc)	< 85°C
Storage temperature range	-20 to 50°C

Certificates and standards

- ENEC05 (pending), CE
- EN55015 / EN61000-3-2 / EN61347-2-13 / EN61347-1 / EN61547 / EN62384 / SELV

Classifications



2

Beau
FORT